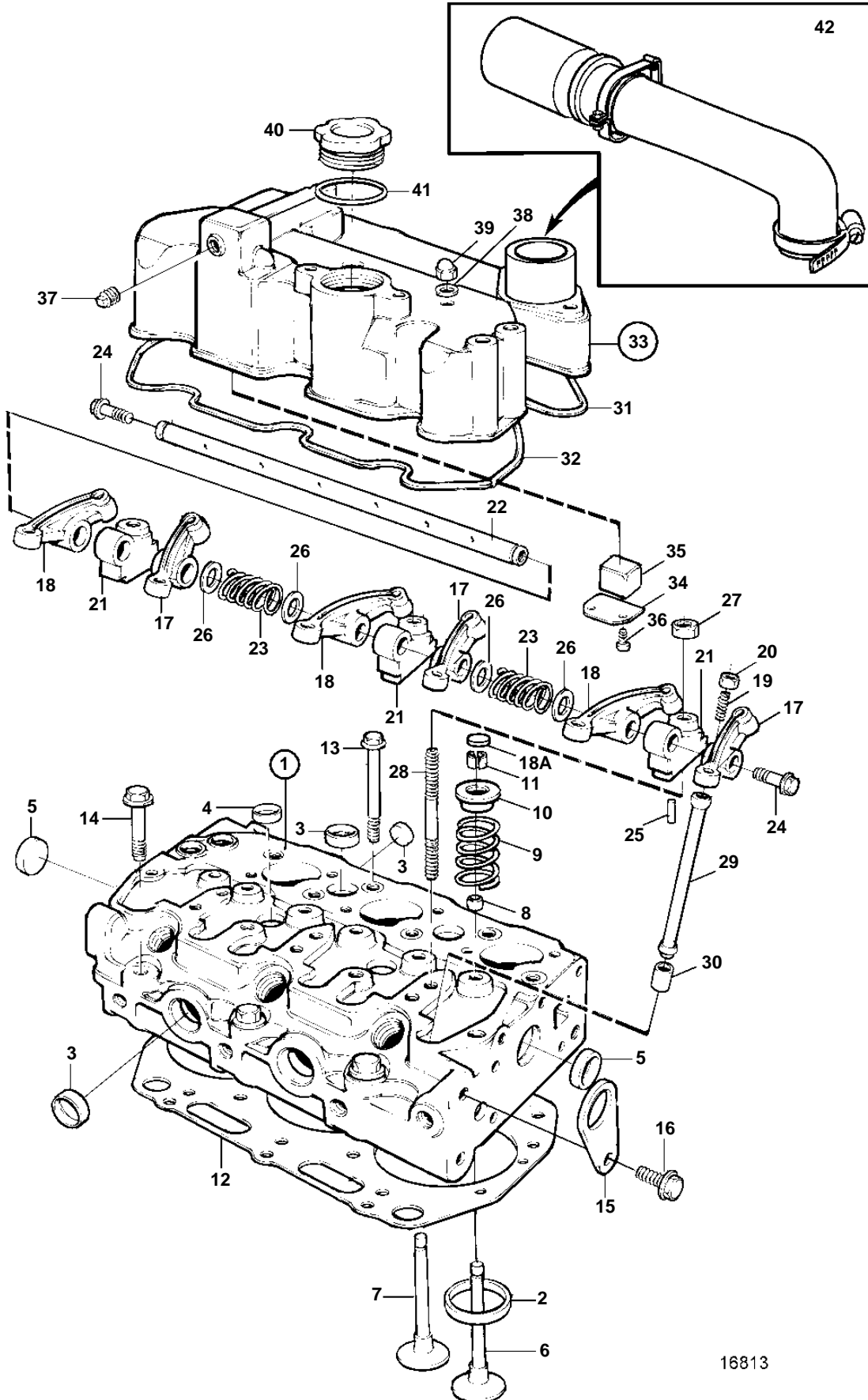


MD2030C, MD2030D



## MD2030C, MD2030D

REF	PART NO.	QTY	DESCRIPTION	NOTES
1	3580300	1	Cylinder head	
2	3580301	3	· Valve seat	
3	861802	6	· Plug	
4	861801	2	· Plug	
5	3580302	2	· Plug	
6	3580303	3	· Inlet valve	
7	3580304	3	· Exhaust valve	
8	3580305	3	· Valve stem seal, exhaust	
	3580306	3	· Valve stem seal, intake	
9	3580964	6	· Valve spring	
10	3580307	6	· Valve spring washer	
11	3580308	12	· Valve cone	
12	3580309	1	Gasket	TH = 1,3mm
13	3580310	11	Screw	
14	3580311	3	Screw	
15		1	Lifting eye	
16	861870	2	Screw	
17	3581291	3	Rocker arm	
18	3581292	3	Rocker arm	
18A	3580481	6	Valve cap	
19	861877	6	Adjuster screw	
20	861878	6	Nut	
21	3582684	3	Bracket	
22	3580314	1	Rocker arm shaft	
23	3580315	2	Spring	
24	861886	2	Plug	
25	861882	1	Tensioning din	
26	861883	4	Shim	
27	948645	3	Lock nut	
28	861885	3	Stud	
29	3580289	6	Push rod	
30	861827	6	Lifter	
31	3580316	1	Gasket	
32	3580317	1	Gasket	
33	3580318	1	Valve cover	
34		1	· Retainer	
35	3580320	1	· Filter	
36	3580321	2	· Screw	
37		1	· Plug	
38	11992	3	Gasket	
39	3580241	3	Nut	(861895)
40	3583541	1	Oil filler cap	(861896)
41	861897	1	O-ring	
42		1	Air inlet	